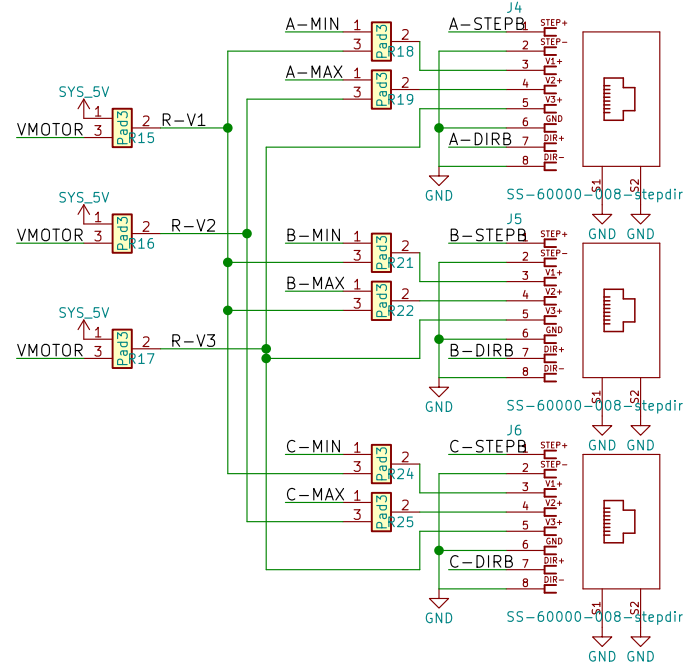
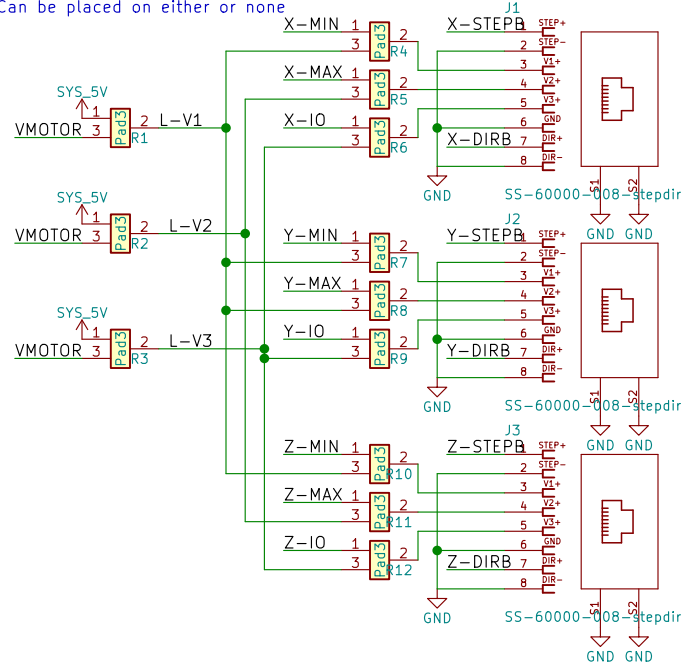


Pad3 => 3 SMD resistor pads
Can be placed on either or none



Propose allocate like:

- 1 pin STEP
- 1 pin DIR
- 3 pin V+
- 3 pin GND

Where each VN+ pin can be either be N/C, 5V, or VMOTOR

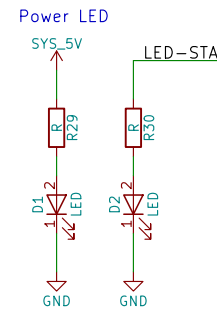
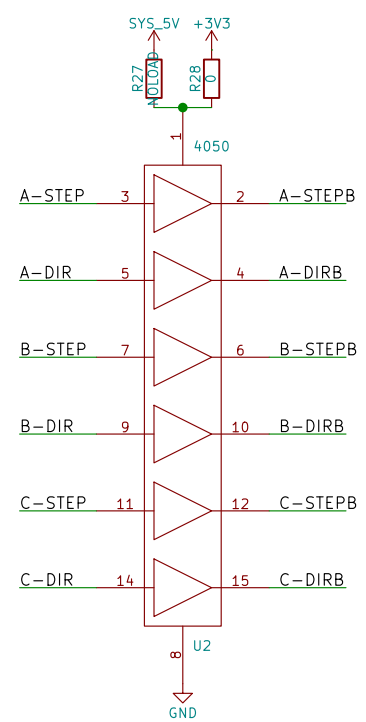
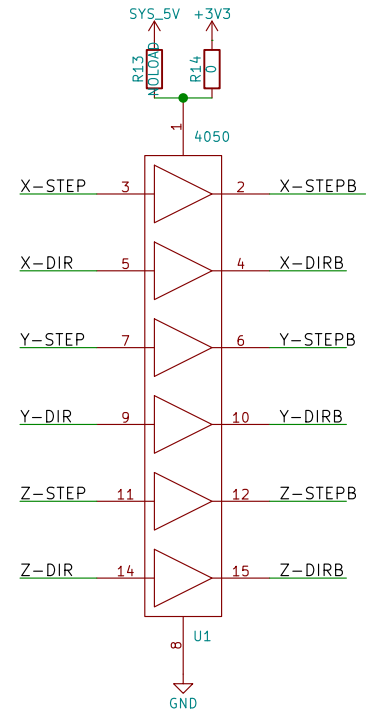
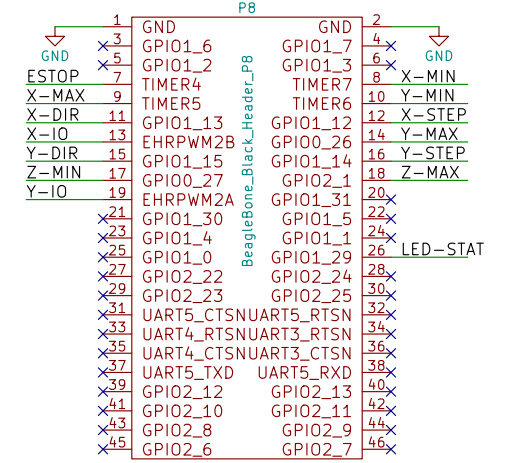
Pin choice

Either 568 A/B cabling assign pairs as follows:

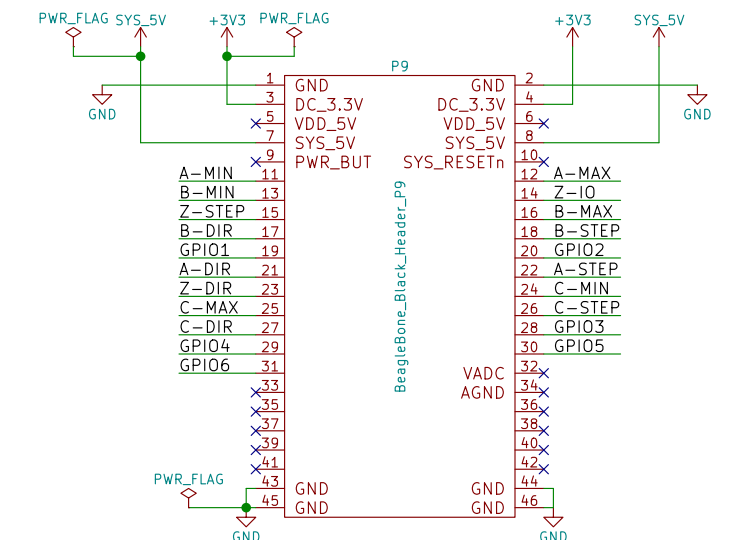
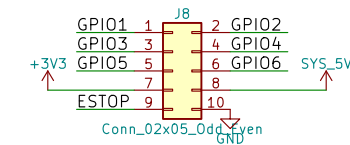
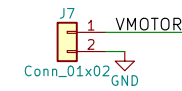
- 1: P1
- 2: P1
- 3: P2
- 4: P3
- 5: P3
- 6: P2
- 7: P4
- 8: P4

Ideally assign step/direction pairs together to reduce noise

P8/P9 to match BBB connector names



External motor power



TODO: consider using multiple sheets